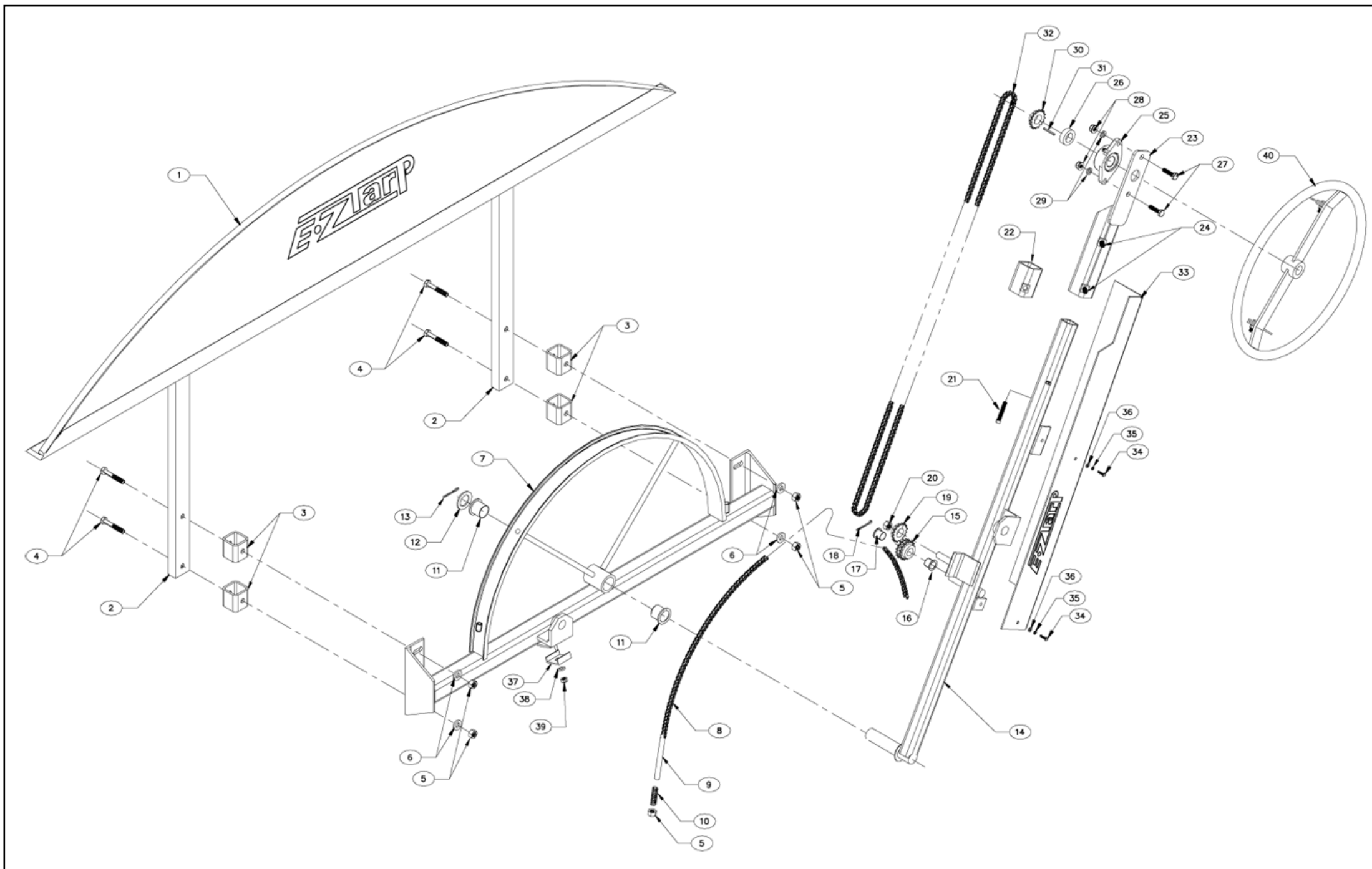


FRONT FRAME



REFERENCE #	PART #	DESCRIPTION	QTY	REFERENCE #	PART #	DESCRIPTION	QTY
1	001	Solid Headboard	1	21	033	1/2" x 3" Square Head Adj. Bolt	1
2	003	Channel Iron	2	22	030	3" Extension Spacer	1
3	029	Spacer Block	4	23	013	Swing Arm Extension	1
4	N/A	1/2" Bolt	4	24	034	1/2" x 3/4" Socket Set Screw	1
5	N/A	1/2" Nylock	4	25	032	1" x Two Bolt Flange Bearing	1
6	N/A	1/2" Flat Washer	4	26	A12	1" Eccentric Collar	1
7	A01	Front Swing Arm Frame	1	27	N/A	7/16" x 1 1/2" Bolt	2
8	A03	#50 x 63" Roller Chain	1	28	N/A	7/16" Nut	2
9	A04	1/2" x 5" Allthread	1	29	N/A	7/16" Lock Washer	2
10	A05	Chain Tensioning Spring	1	30	A13	50 x 15 x 1" Sprocket	1
11	024	1 1/4" Brass Bushing	2	31	A14	1/4" x 1" Key Stock	1
12	025	1 1/4" Machine Bushing	1	32	A15	#50 Roller Chain (76" or 82")	1
13	027	1/4" x 2" Kotter Pin	1	33	009	Chain Guard	1
14	A02	Front Swing Arm	1	34	N/A	1/4" x 3/4" Bolt	2
15	A06	Double Sprocket	1	35	N/A	1/4" Lock Washer	2
16	026	1" Brass Bushing	1	36	N/A	1/4" Flat Washer	2
17	A07	1" Machine Bushing	1	37	016	Hose Clamp	1
18	A08	3/16" x 1 1/2" Kotter Pin	1	38	N/A	3/8" Lock Washer	1
19	A09	50-17 Idler Sprocket	1	39	N/A	3/8" Nut	1
20	A11	5/8" Nylock	1	40	036	Tensioning Wheel	1