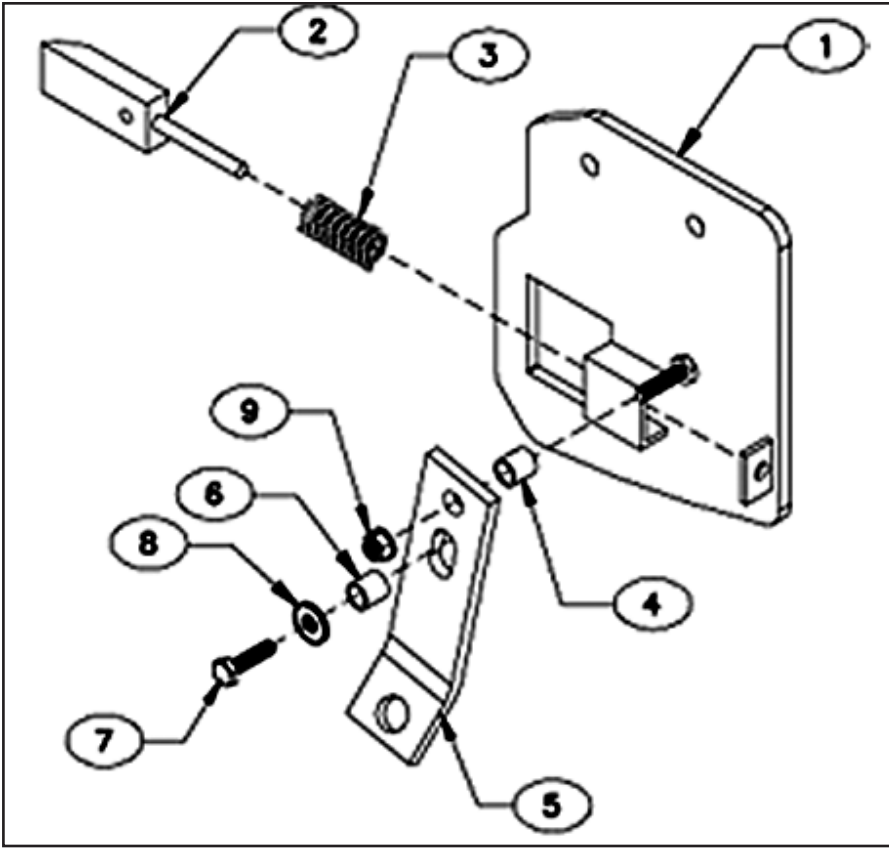
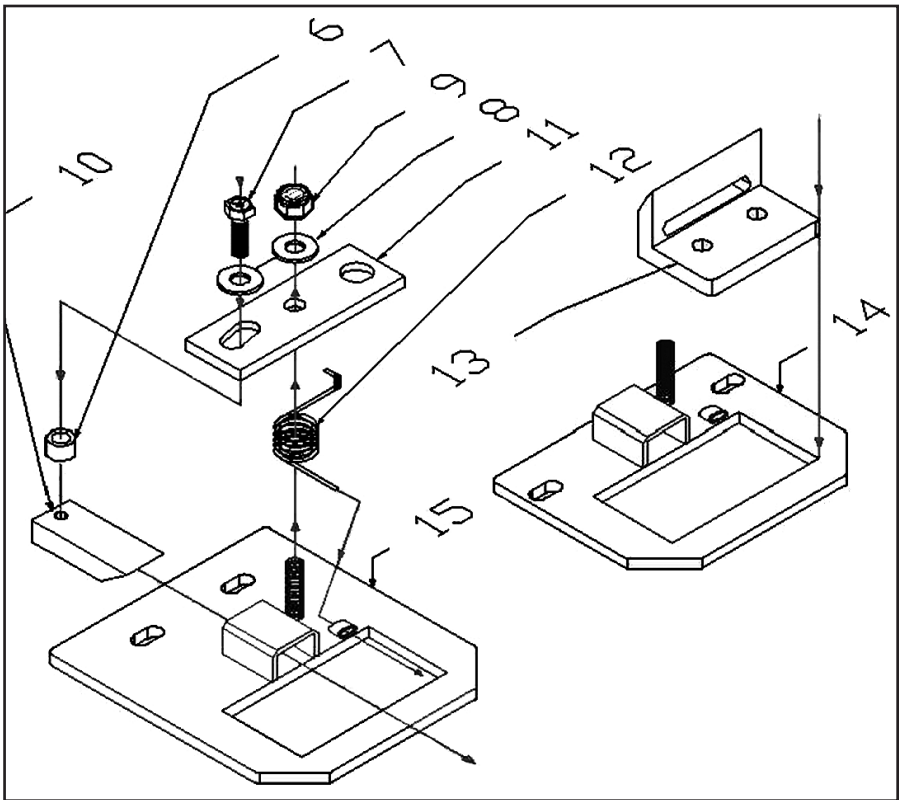


LATCH PLATE



2013 Latch Plate



| REFERENCE # | PART # | DESCRIPTION | QTY |
|-------------|--------|-------------------------|-----|
| 1 | C11 | PLATE | 1 |
| 2 | C02 | LATCH BOLT | 1 |
| 3 | C03 | SPRING (L-1.75, W-.062) | 1 |
| 4 | C08 | LATCH HANDLE SHIM | 1 |
| 5 | C07 | LATCH HANDLE | 1 |
| 6 | C06 | LATCH HANDLE BUSHING | 1 |
| 7 | C04 | 5/16" X 1" BOLT | 1 |
| 8 | C05 | 5/16" FLAT WASHER | 1 |
| 9 | N/A | 3/8" NYLOCK | 1 |
| 10 | C13 | Latch Bolt | 1 |
| 11 | C14 | Latch Handle 2013 | 1 |
| 12 | C15 | Spring 2013 | 1 |
| 13 | C16 | Striker 2013 | 1 |
| 14 | C17 | Sm Latch Plate 2013 | 1 |
| 15 | C18 | Lg Latch Plate 2013 | 1 |