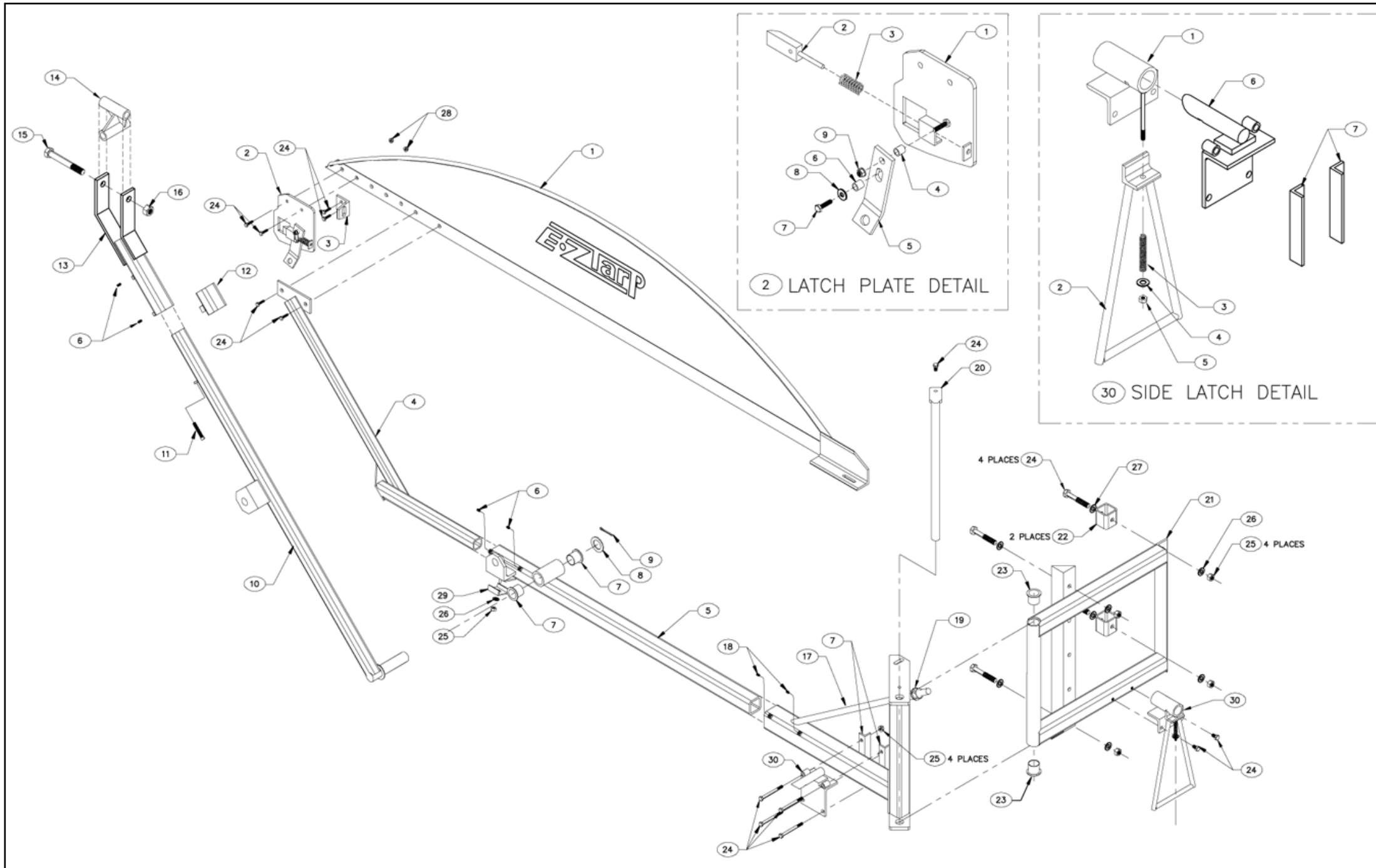
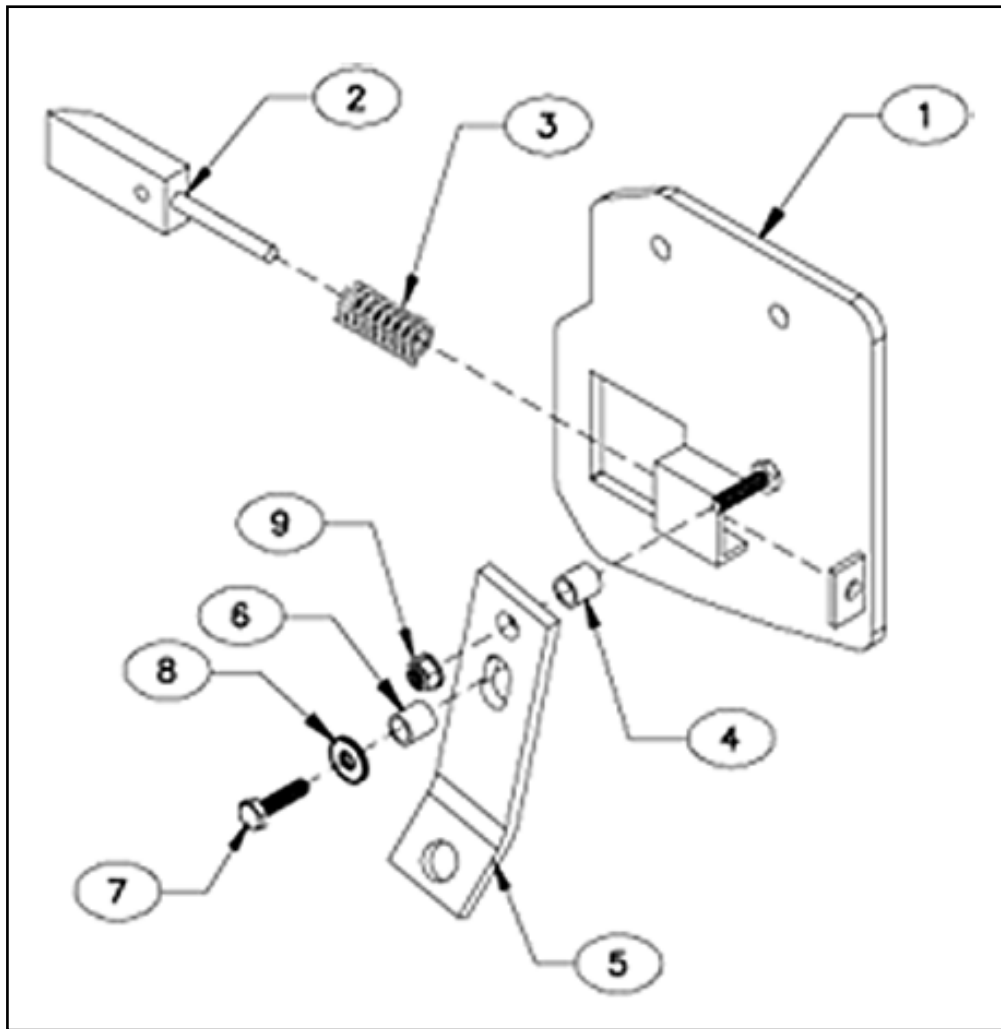


SWING OUT REAR FRAME



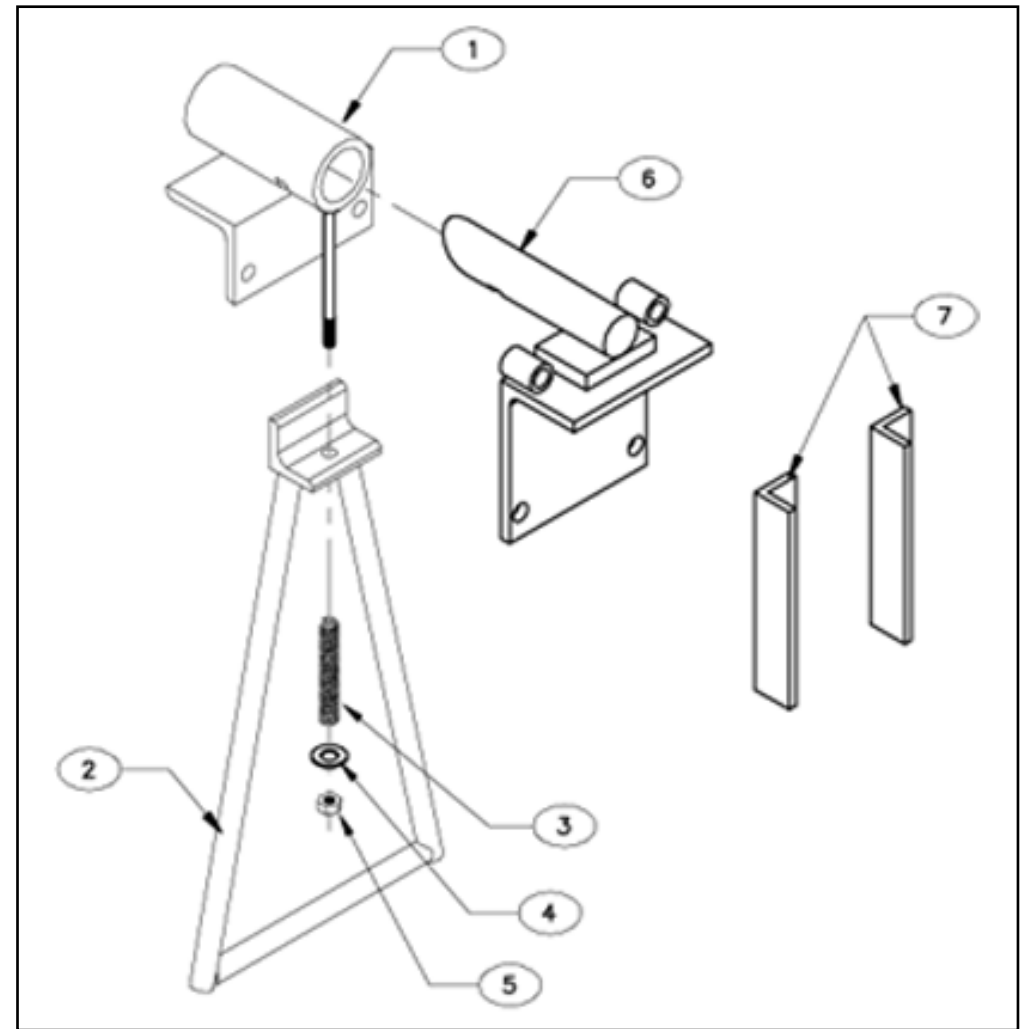
REFERENCE #	PART #	DESCRIPTION	QTY	REFERENCE #	PART #	DESCRIPTION	QTY
1	002	Rear Latching Headboard	1	16	B06	3/4" Nylock	1
2	008	Latch Plate - Complete	1	17	010	Hinge Frame	1
3	C10	Striker Block	1	18	035	1/2" x 1" Socket Set Screw	2
4	007	Headboard Support	1	19	N/A	3/4" Nut	2
5	006	Rear Swing Arm Frame	1	20	011	Hinge Pin	1
6	034	1/2" x 3/4" Socket Set Screw	2	21	012	Corner Frame	1
7	024	1 1/4" Brass Bushing	2	22	029	Spacer Block (1 1/4" or 2")	2
8	025	1 1/4" Machine Bushing	1	23	026	1" Brass Bushing	2
9	027	1/4" x 2" Kotter Pin	1	24	N/A	3/8" Bolt (various lengths)	
10	B03	Rear Swing Arm	1	25	N/A	3/8" Nut	
11	033	1/2" x 3" Square Head Adj. Bolt	1	26	N/A	3/8" Lock Washer	
12	030	3" Extension Spacer (Wide Box)	1	27	N/A	3/8" Flat Washer	
13	014	Rear Swing Arm Extension	1	28	N/A	3/8" Nylock	
14	B04	Pivoting Knuckle	1	29	016	Hose Clamp	
15	B05	3/4" x 6" Bolt (Semi trl. 8 1/2")	1	30	H23	Side Latch Assembly	

LATCH PLATE



REFERENCE #	PART #	DESCRIPTION	QTY
1	C11	Plate	1
2	C02	Latch Bolt	1
3	C03	Spring (L-1.75, W-.062)	1
4	C08	Latch Handle Shim	1
5	C07	Latch Handle	1
6	C06	Latch Handle Bushing	1
7	C04	5/16" x 1" Bolt	1
8	C05	5/16" Flat Washer	1
9	N/A	3/8" Nylock	1

SIDE LATCH



REFERENCE #	PART #	DESCRIPTION	QTY
1	G03	Receiver Bracket	1
2	G04	Latch Handle	1
3	G05	Spring (L-2.00, W-.80)	1
4	G06	5/16" Flat Washer	1
5	G07	5/16" Nylock	1
6	G01	Bolt Bracket	1
7	G02	Angle Iron Clamp	2